



Door / Window Sensor

Quick Start Guide

1. Download/Update the Wink App

Visit the iTunes App Store or Google Play Store to download the latest version of the Wink app. The app will guide you through some quick steps to sign up or log in.



2. Follow Setup in the Wink App

First, a Wink Hub is required, so be sure that it has already been connected in the Wink app.

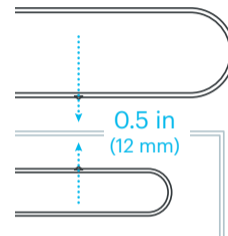
Next, navigate to the Products section and tap the “Add to Wink” button. Find the Wink Door/Window Sensor and follow the instructions in the app to complete the connection process.

Note: The battery pull tab keeps the battery from powering on the sensor until you are ready to use it. The Wink app instructions will walk you through when to remove the battery pull tab to power on the device.

Installation

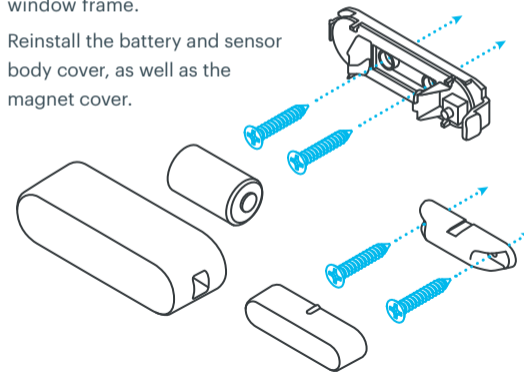
Placement

1. Make sure the sensor is within 30 feet of your Wink Hub.
2. Place the sensor body (larger piece) on the non-moving part of the door or window frame. For proper operation, there should be no more than a 1/2” gap between the sensor and magnet when the door or window is closed.
3. Hold the magnet and sensor body in place by hand where you wish to install them, then move them in and out of the closed position, making sure the LED light blinks in response. This will confirm that the door and frame are spaced correctly to accommodate the sensor.



Installation with Hardware

1. Remove the sensor body cover by pressing the cover release tab, then remove the battery to expose the screw holes. Remove the magnet cover.
2. Position the sensor body and magnet and drive the included screws through the screw holes into the door or window frame.
3. Reinstall the battery and sensor body cover, as well as the magnet cover.



Installation with Double-Stick Tape

1. Wipe your wall clean of dust and grease.
2. Peel and stick the sensor body and magnet to your door/window using the included double-stick tape.

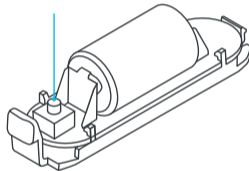
Generic Z-Wave Guide

Including/Connecting to a Z-Wave Network

Follow the instructions for your Z-Wave certified Controller to enter inclusion mode. When prompted by the Controller:

1. Bring the door/window sensor to within 10 feet of your controller. After inclusion, the device can be moved to any desired location.
2. If connecting a new sensor, remove the battery tab. Press the sensor cover release tab to remove the sensor body cover, and make sure the battery is installed correctly.
3. Press the Connect Button quickly 3 times in a row.
4. The LED indicator will flash five times to indicate inclusion.

Connect Button



Excluding/Disconnecting from a Z-Wave Network

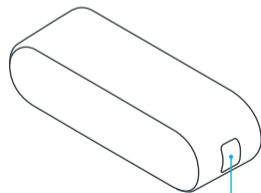
Follow the instructions for your Z-Wave certified Controller to enter exclusion mode. When prompted by the Controller:

1. Press the sensor cover release tab to remove the sensor body cover and make sure the batteries are installed correctly.
2. Press the Connect Button quickly 3 times in a row.

The LED Indicator will flash five times to indicate exclusion/disconnection.

Opening the Sensor

1. Press the sensor cover release tab.
2. Pry off the cover.



Sensor Cover Release Tab

Resetting to Factory Settings

To disconnect from a Z-Wave Network and restore factory default settings:

1. Press the sensor cover release tab to remove the sensor body cover and make sure the batteries are installed correctly.
2. Hold the Connect Button for 10 seconds until the LED indicator blinks once, then release the button.

Note: Only do this if the controller is disconnected or otherwise unreachable!

Need Help? Contact Wink Customer Service

Visit wink.com/help, or shoot us an email at questions@wink.com.
Want to speak to a human? Reach us at 1-844-WINK-APP

Warranty

For warranty information regarding this product, visit www.wink.com/returns

US Compliance Statement (FCC)

This device complies with Part 15 of the FCC rules. Operation is subject to the following two conditions: (1) this device may not cause harmful interference, and (2) this device must accept any interference received, including interference that may cause undesired operation.

Model: WNK-DW1

FCC: 2ACAJ-WDW1



Tested to Comply with FCC Standards
FOR HOME OR OFFICE USE

Canada Compliance Statement (IC)

This device complies with Industry Canada license-exempt RSS standard(s). Operation is subject to the following two conditions: (1) this device may not cause interference, and (2) this device must accept any interference, including interference that may cause undesired operation of the device.

Le présent appareil est conforme aux CNR d'Industrie Canada applicables aux appareils radio exempts de licence. Son exploitation est autorisée aux deux conditions suivantes: (1) il ne doit pas produire de brouillage; et (2) il doit accepter tout brouillage radioélectrique subi, même si celui-ci est susceptible d'en compromettre le fonctionnement.

IC: 11938A-WDW1

Correct Disposal of Batteries in this Product

This marking on the product, accessories or literature indicates that the product and its electronic accessories should not be disposed of with other household waste.

To prevent possible harm to the environment or human health from uncontrolled waste disposal, please separate these items from other types of waste and recycle them responsibly to promote the sustainable reuse of material resources.

Household users should contact either the retailer where they purchased this product, or their government office, for details of where and how they can take these items for environmentally safe recycling.

Business users should contact their supplier and check the terms and conditions of the purchase contract. This product and its electronic accessories should not be mixed with other wastes for disposal.

This marking on the battery, manual or packaging indicates that the batteries in this product should not be disposed of with other household waste. Where marked, the chemical symbols Hg, Cd or Pb indicate that the battery contains mercury, cadmium or lead above the reference levels in EC Directive 2006/66. If batteries are not properly disposed of, these substances can cause harm to human health or the environment.

©2017 Wink Labs, Inc. All rights reserved
606 W 28th St., Floor 6
New York, NY 10001
www.wink.com

